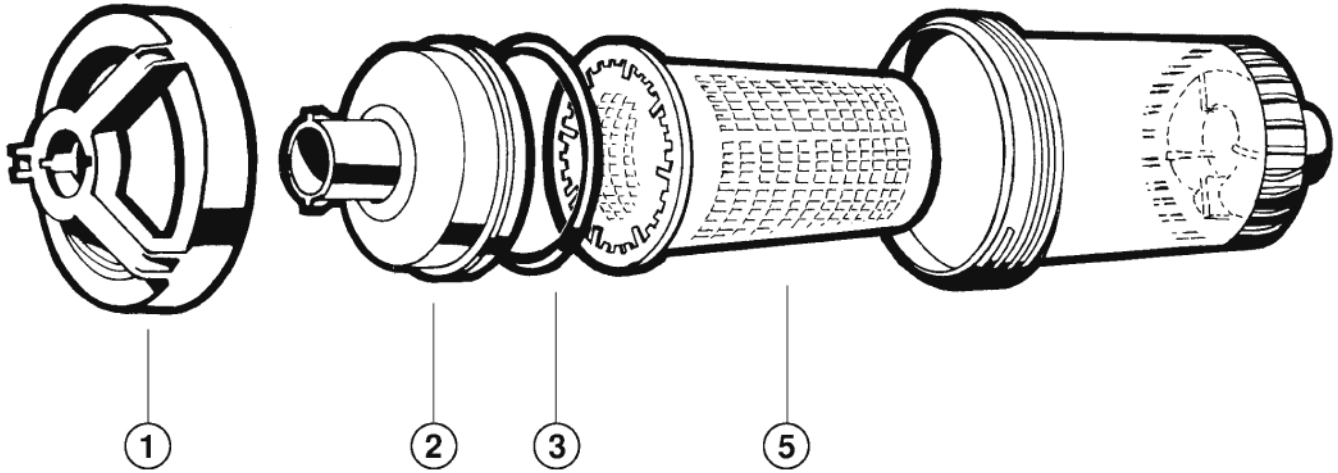
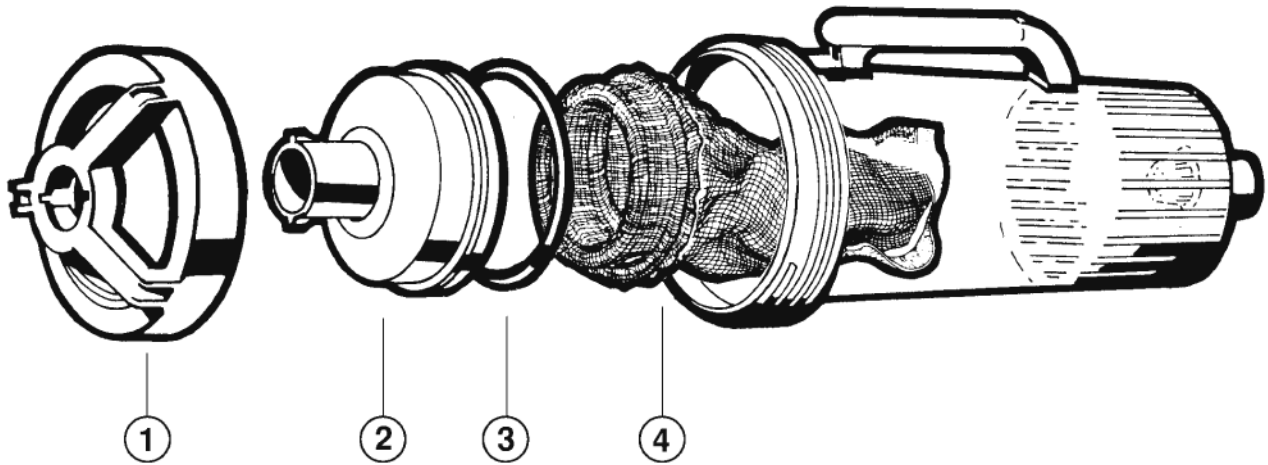


Parts Diagram

W560 LEAF CANISTER Standard Capacity



W530 LEAF CANISTER Large Capacity



Part No.	Description	Ctn. Qty.	No. Req'd
1	AXW532 Lock Ring for W530 and W560	*	1
2	AXW533A Lid w/O-Ring Assembly	*	1
3	AXW542 Leaf Canister O-Ring for W530 and W560	25	1
4	AXW538 Permanent Bag for W530	5	1
5	AXW431A Leaf Basket for W430 and W560	50	1
—	AXV098 Hose Adapter for V096, W530 and W560	25	1

*Special order.